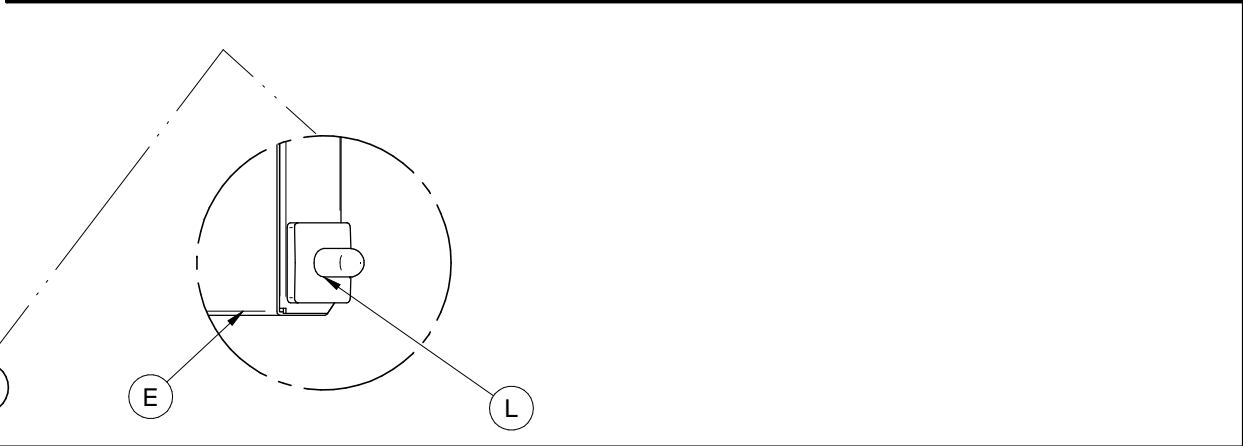
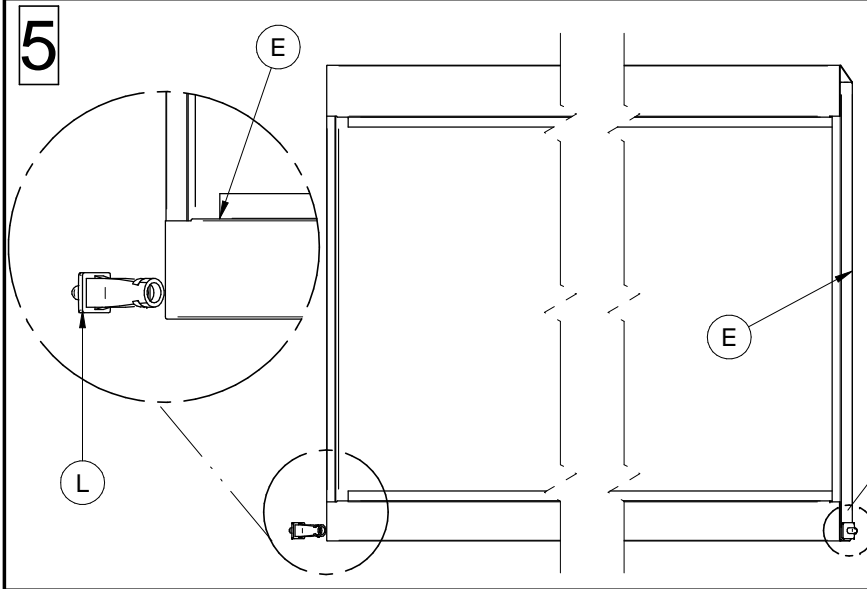
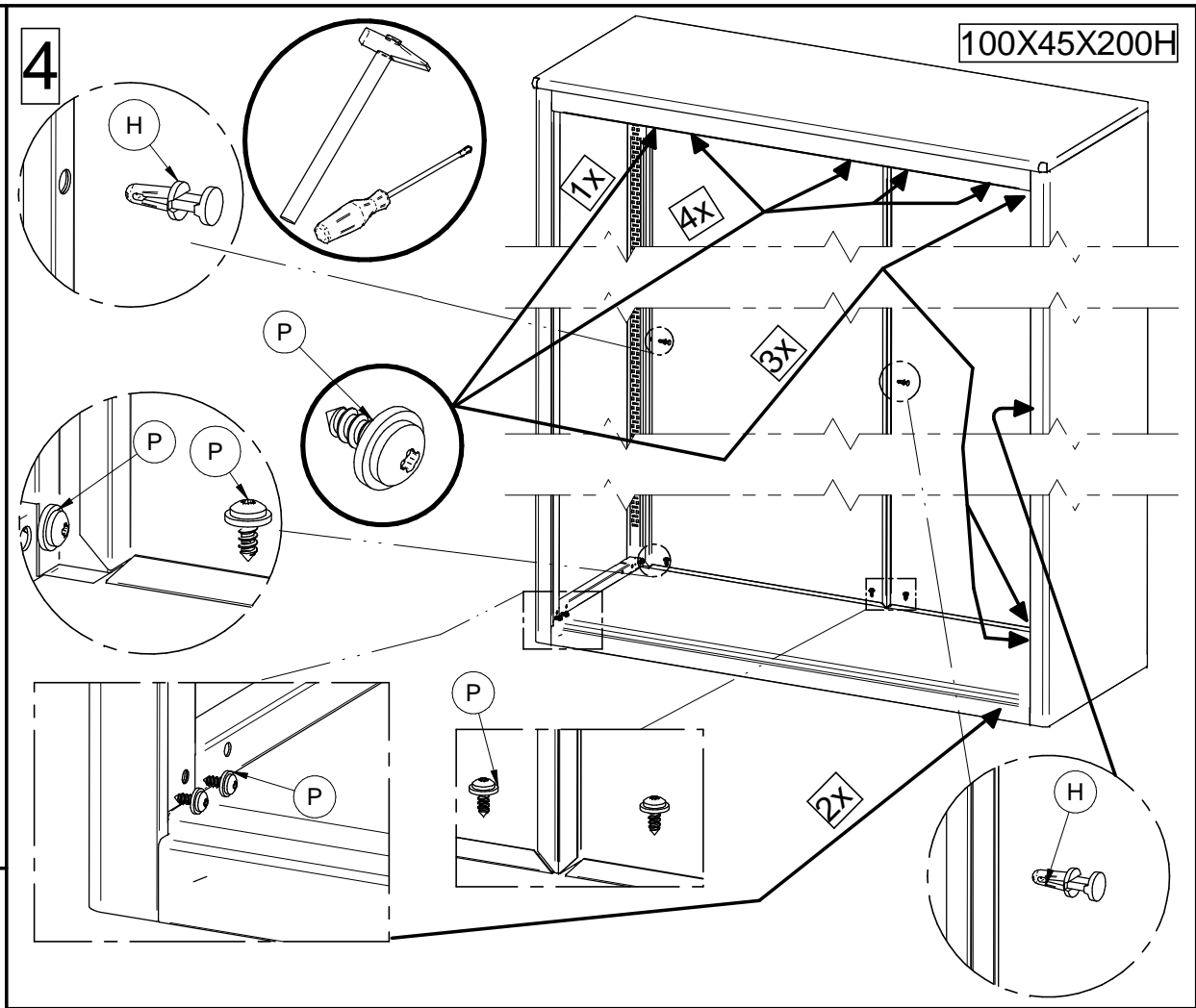
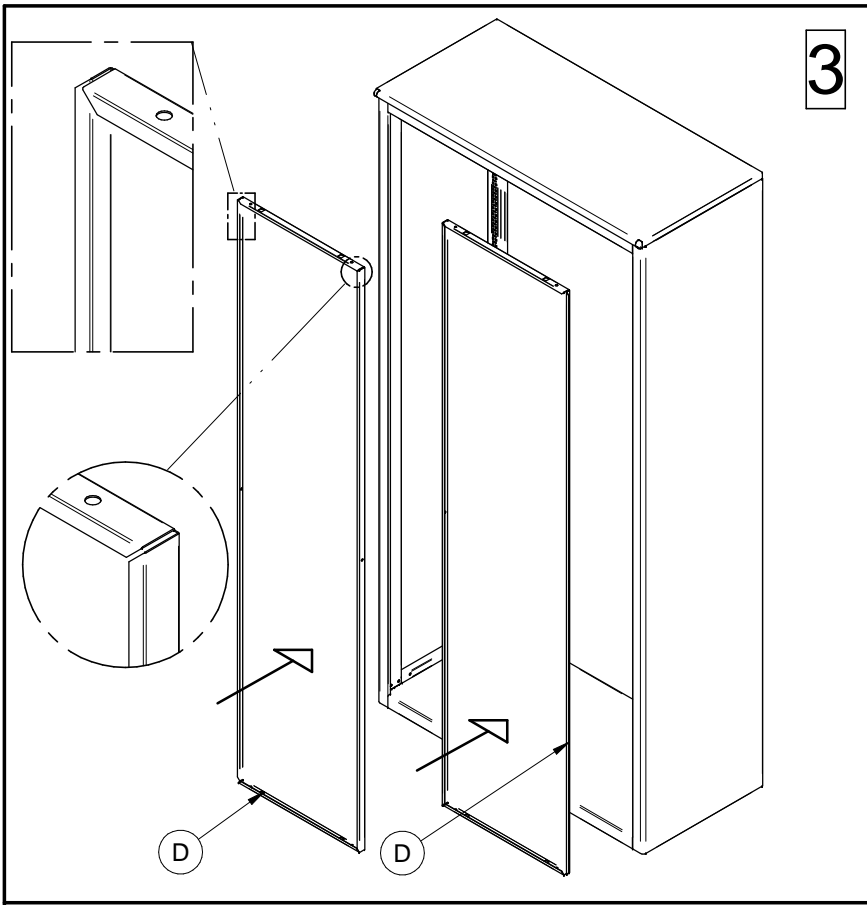
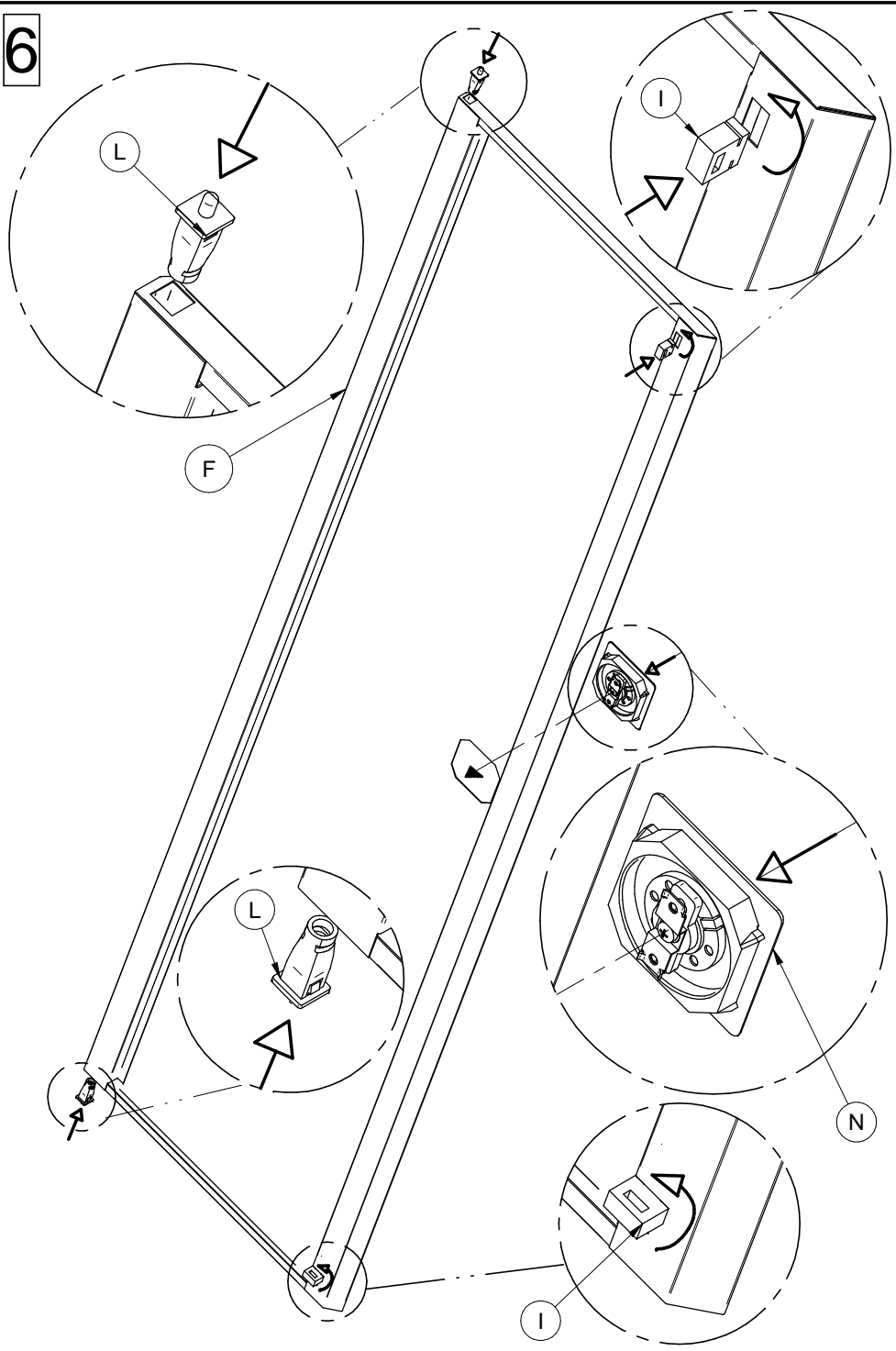


MOD.	H	I	L	M	N	O	P	Q	R
100x45x200H	1	2	4	16	1	2	22	2	2
100x45x150H	1	2	4	12	1	2	22	2	2
100x45x116H	0	2	4	8	1	2	20	2	2
100x45x85H	0	2	4	4	1	2	20	2	2
100x45x75H	0	2	4	4	1	2	20	2	2
100x45x65H	0	2	4	0	1	2	20	2	2



6



7

